



Introducing

# Trident MINI

**Air Purification  
Reinvented**



USER MANUAL

## TABLE OF CONTENTS

REPAIR ADVICE	3
STATEMENT OF ENVIRONMENT IMPACT	3
PRODUCT & ACCESSORIES	4
PACKING LIST	4
PARAMETER INFORMATION	4
SAFE AIR DOME TECHNOLOGY	5
WIFI CONNECTION	6
AIR QUALITY COLOUR DISPLAY	7
SAFETY PRECAUTIONS	7
CLEANING & MAINTENANCE	8
COMMON TROUBLESHOOTING METHODS	9
CONTACT INFORMATION	10
WARRANTY	10

## REPAIR ADVICE

Please read this user manual to operate this product properly and safely.

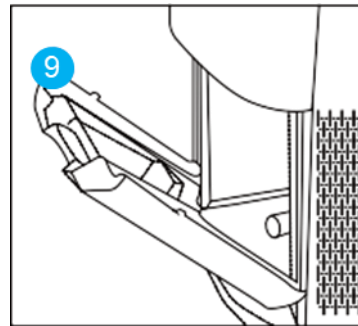
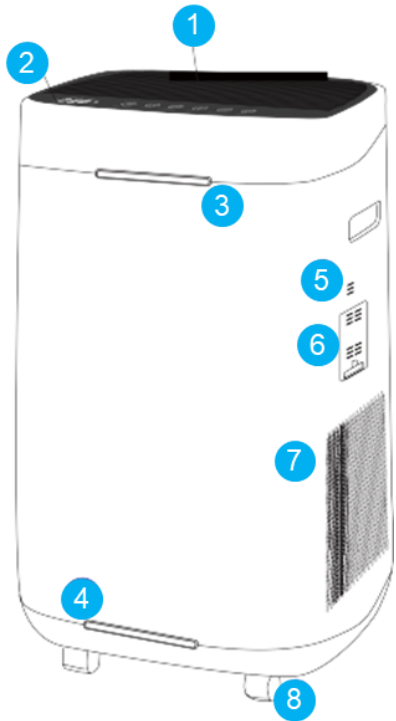
Only Plasma Science technicians who have undergone the required training are able to fix the air purifier.

Please inform Plasma Science Pte Ltd when the air purifier is malfunctioning and do not attempt to fix it. Unplug the wire and switch off the power and leave the rest to our technicians.

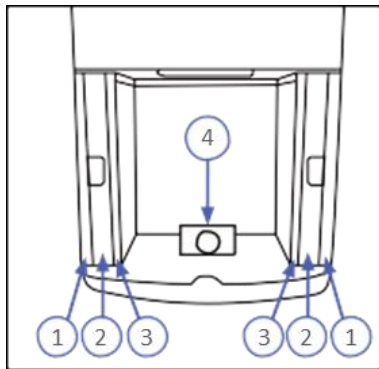
## STATEMENT OF ENVIRONMENT IMPACT

1. All packaging materials are recyclable and environmentally friendly. To preserve a healthy environment, kindly dispose of these packaging materials in an eco-friendly manner.
2. Please keep packaging materials away from children as playing with plastic films and cartons can result in a room-breathing mishap.
3. Please help safeguard the environment by recycling or disposing of waste properly.

## PRODUCT & ACCESSORIES



1. Air Outlet Grid
2. Control Panel
3. PM2.5 Indicator
4. VOC Indicator
5. VOC Sensor Cover
6. PM2.5 Sensor Cover
7. Air Inlet
8. Wheels
9. Filter Cover (back)



1. Aluminium Mesh Pre-Filter
2. Advanced Graphene Electrostatic Filter
3. Ozone Decomposition Carbon Filter
4. Trident Cold Plasma Ion Activator

## PACKING LIST

Trident Air Purifier	1 PC
Aluminium Mesh Pre-Filter	2 PCS
Advanced Graphene Electrostatic Filter	2 PCS
Ozone Decomposition Carbon Filter	2 PCS
Trident Cold Plasma Ion Activator	1 PCS

## PARAMETER INFORMATION

Rated Voltage	220V
Rated Frequency	50Hz
Rated Power	13-63W
PM CADR	600m <sup>3</sup> /h
Lifespan	10 Years
Coverage Area	74m <sup>2</sup> (800 sq. ft)
Weight	12.8 kg
Noise	<30Db(A) – 60 Db(A)

## SAFE AIR DOME TECHNOLOGY

### HUNT

The Trident Ion Activator simulates the sun's normal process of dispersing positive and negative oxygen ions while producing no heat, light, or other unwelcome byproducts. Sanitizing surfaces and the air effectively. 99.99% of the airborne viruses, germs, VOCs, and allergens are hunted and killed by the ions that are released into the environment.

### CATCH

By using less energy than conventional air purifiers, Trident's Advanced Graphene Electrostatic (A.G.E.) Plates can clean and disinfect an area up to five times faster. Larger particles up to PM5.0 are caught by the aluminum mesh pre-filter. Trident can completely eradicate smoke and odor by employing A.G.E. Plate, which has a strong 99.9% absorption rate of tiny and aerosol particles of 0.01-micron size. The A.G.E. Plate also creates a potent 4–8KV voltage charge that rapidly kills bacteria and viruses by obliterating their proteins and cells.

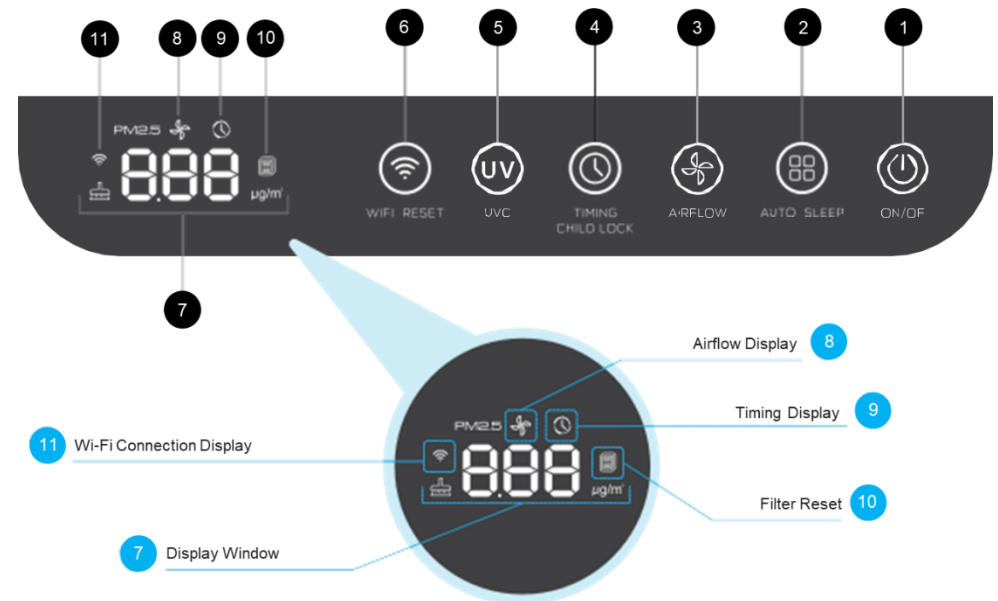
### KILL

The revolutionary triple killing action Safe Air Dome Technology inhibits virus transmission within 30 minutes of usage and achieves up to 99.99% disinfection.

### Applications:

Places such as homes, workplaces, schools, hospitals, restaurants, daycare facilities, and clinics.

## INSTRUCTIONS FOR USE



### 1. ON/OFF:

The power button icon turns red whenever the wall socket connected to Trident is turned on. Pressing the power button will turn the power on or off accordingly. All of the keys will illuminate in white when the machine is turned on.

### 2. AUTO/SLEEP:

When in auto mode, pressing the button quickly will illuminate both "AUTO" and the button; when in sleep mode, long pressing the button for three seconds will illuminate both "SLEEP" and the button, while also turning out all of the display lights on the panel and the device.

### 3. AIRFLOW:

Press the button quickly to switch to speeds 1–2–3–4 and simultaneously display icons 3 and 8; the PM2.5 display will return after 5 seconds.

### 4. TIMING / CHILD-LOCK:

Quickly pressing the timing icon, shifts the timer from 1,2,4,6,8 Hours. Icons 4 and 9 will appear as appropriate. It will take 5 seconds to restore the PM2.5 display. The machine emits a "beep" prompt sound when you long press for three seconds, turning on the "CHILD LOCK" button. This locks all of the keys to prevent tampering by children. When you are ready to release the child lock, long press for three seconds.

### 5. UVC:

Short press for UVC filter sterilization. To disable, press the button one more time. It is not necessary to turn on UVC for normal use. The UVC is an added assurance to disinfect filter before removing filter for wash, especially if machine is used in high-risk area such as hospitals.

### 6. WIFI / FILTER RESET:

When the network has been successfully configured, the "WIFI" icon will be on and icons 6 and 11 will blink concurrently. Push the button for 3 seconds to enable the wifi network configuration mode.

Icon 10 and "RESET" will blink simultaneously when it is time to wash the filters. After washing the filters and placing the clean filters back into Trident, press the button for 5 seconds, the machine will beep to indicate that the filter has been correctly reset.

### 7. DISPLAY WINDOW

### 8. AIRFLOW DISPLAY

### 9. TIMING DISPLAY

### 10. FILTER RESET

### 11. WIFI CONNECTIVITY DISPLAY

## WIFI CONNECTION



### DOWNLOAD APP AND REGISTRATION

1. To download the "Smart Life" APP, scan the QR code, or "TUYA" APP. To install the APP, you may also search for "Smart Life" or "TUYA" in the Google Play or iOS APP stores.
2. Launch the APP and select "Register" to create an account with "Smart Life" using your phone number or email address. Then, log into the APP.
3. Click "add device" or press "+" in the top right corner of the "Smart Life APP" homepage to launch it. There are two ways to access the "add device" page: manually adding WiFi or automatically looking for devices.

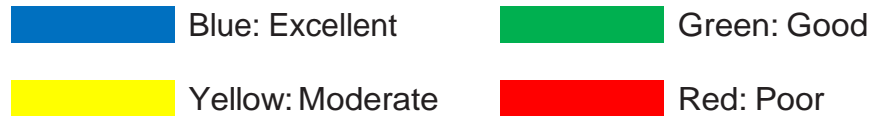
When adding a device manually, select any product from the product ring to enter a new homepage and make sure the indicator light flashes quickly.

Two configuration options are offered by the devices. Tap "Other techniques" in the top right corner of the home page to enter Easy mode and AP mode. From there, select one of the modes to connect to WiFi.

Ensure that both your phone and smart gadget are powered on and linked to your WiFi. If the WiFi indicator on a smart device does not flash, please press and hold the light ring's center button for at least 5 seconds until the indicator light begins to flash rapidly, indicating the device is ready for configuration.

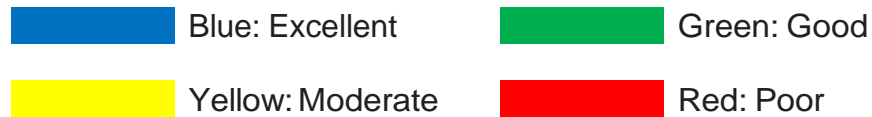
## AIR QUALITY COLOUR DISPLAY

According to the current PM2.5 condition, the machine **PM2.5 indicator light** above the front panel changes color:



The current PM2.5 value will simultaneously be displayed in the display window on the control panel.

According to the present state of gaseous pollutants, the **VOC (Volatile Organic Compound) indicator light** beneath the machine's front panel changes color:



## SAFETY PRECAUTIONS

### ABOUT POWER

1. Only make use of three-pin sockets that adhere to the nameplate's standard voltage.
2. If the power cord, plug, or power socket are damaged, do not use this product.
3. You must hold the plug when unplugging the electricity rather than pulling the cord to prevent electric shock or fire from a short circuit.
4. Regularly remove any dust from the power plug.
5. The manufacturer or trained maintenance employees must replace the power cord if it is damaged.

### WHEN IN USE

1. Never operate the machine without filters in place.
2. Avoid sticking your fingers or other objects inside the air intake or outlet.
3. Avoid obstructing the air intake or outlet.
4. Avoid touching or putting anything near a heat source (such as heating stove and other places that may be exposed to flammable gas).
5. You should disconnect the power cord from the wall socket right away if there is any smoke, stench, or other malfunctions.

### SERVICE RESTRICTIONS

1. To prevent electric shock, fire, and other harm, never use equipment in a space filled with flammable gases such as hydrogen, natural gas, propane, etc.
2. To prevent electric shock, fire, or other damage, do not use it in unstable locations such as easy-dumping, hot, humid, or wet

locations such as bathrooms.

## **ABOUT MOVING**

1. When moving the machine, ensure that it is unplugged.
2. To prevent the machine from falling and injuring people, grab the handle on the side of the machine while moving; do not hold the front panel.

## **NOTICE FOR CLEANING**

1. Never wash the carbon filter with water.
2. Use caution when cleaning the equipment because harsh detergents that are corrosive will scratch the surface.
3. Always use soft cloths to wipe machine surfaces; otherwise, they risk being fractured or damaged.
4. Avoid using alcohol or other organic solvents to clean the device because doing so could harm it or result in electric shock, fire, etc.
5. Please unplug the machine from the electrical outlet while cleaning or not using the machine, as doing so could result in an electric shock or a fire from a short circuit.

## **CLEANING & MAINTENANCE**

### **INLET AND TOP OUTLET GRILLE CLEANING**

1. To get rid of dust and debris, use a soft brush.
2. Avoid using any abrasives or cleaning pads on any sections of the equipment and, if necessary, use a paper or cloth that has been mildly moistened to remove big deposits.

### **VOC SENSOR CLEANING**

Above the air inlet grille, on the machine's middle right side, is where you'll find the VOC sensor.

1. To preserve precise smell identification, wipe away dust and debris from the VOC sensor using a soft cloth.
2. Avoid tampering with the opening, or spraying water near the grille aperture above the VOC sensor as this could void the sensor's warranty.

### **PM2.5 SENSOR CLEANING**

1. Remove the PM2.5 Sensor cover.
2. Clean the lens, air intake, and air output with a damp cotton swab.
3. To get rid of any remaining water stains on the dust sensor, use a dry cotton swab.
4. Clean the PM2.5 sensor whenever readings is erratic.



## FILTER ASSEMBLY

Six pre-assembled filters are included with this purifier. After the filters are inserted, please close the rear cover to turn on the machine.

### CLEANING OF ALUMINUM MESH PRE-FILTER

Depending on the environment in which it is used, the aluminum mesh filter needs to be cleaned at least once every four months. It captures big particles >5 microns and also hair and tiny insects, etc

1. Use a vacuum cleaner to get rid of any dust or fluff.
2. Apply mild detergent and wash with a shower head.
3. Rinse the filter well to get rid of any remaining soap.
4. Air-dry the filter.

### CLEANING OF A.G.E FILTER

1. Remove the A.G.E filter.
2. Place it in water with mild detergent and let it soak for 5 minutes.
3. To eliminate all dirt, use a shower head to spray clean.
4. Let the sun dry the filter or make use of a hair dryer.

### CLEANING OF OZONE DECOMPOSITION CARBON FILTER

To get rid of dust and fluff, use a vacuum cleaner or soft brush to brush off dust.

### WHOLE MACHINE CLEANING

Clean with a damp sponge or cloth.  
Do not immerse the air purifier in water.

## COMMON TROUBLESHOOTING METHODS

MALFUNCTION	POSSIBILITY	METHOD
Touch panel cannot be pressed	Voltage fluctuation could be the result of prolonged use.	It is advised to turn off the power source and wait five seconds before turning it back on.
The effects of purification and dust removal are not immediately apparent, and the air quality does not significantly improve.	The device is without a filter.	Set up the filter properly.
	The equipment is situated in a constrained space or there are obstructions around, which reduces the effect of purification.  The filters are dirty.	Remove the obstruction or find another location.  Clean filters.
Unacceptably loud running noise	Faulty fan.	Contact after-sales service centre.
	Some object(s) dropped into the fan area.  Wheel balance is off.	Debris removal.  Moving it around and checking the wheels
The filter won't fit.	The filter is fitted in reverse.	Align the bottom slot of the filter with the proper adjustment.
The device is not turning on.	Filter cover is open or improperly placed filter	Put the cover and filter back on. Contact after-sales service centre.
Anomalies in fan motors	Motor overheats.	Unplug, give it time to cool, and then reconnect.  If the problem persists, contact customer service.

## CONTACT INFORMATION

### PLASMA SCIENCE PTE LTD

Trident Air Customer Service Centre

- 7 Yishun Industrial Street 1 #03-49 North Spring Bizhub, Singapore 768162
- Email: [sales@tridentair.sg](mailto:sales@tridentair.sg)
- Operating hours: Monday-Friday 9:00 AM - 6:00 PM
- Whatsapp: +65 9457 3681
- Website: [tridentair.sg](http://tridentair.sg)

## WARRANTY

Register your warranty online at [www.tridentair.sg](http://www.tridentair.sg)

Standard Warranty Period: 1 year against manufacturer's defects, unless otherwise stated.

Standard warranty is on-site service for first 30 days, and thereafter, CARRY-IN service to Trident Customer Service Centre:

7 Yishun Industrial Street 1 #03-49 North Spring Bizhub  
Singapore 768162

For pick-up & delivery and On-Site service, additional charges apply.

Please contact our customer hotline to arrange appointment.